

DOTED SIDE

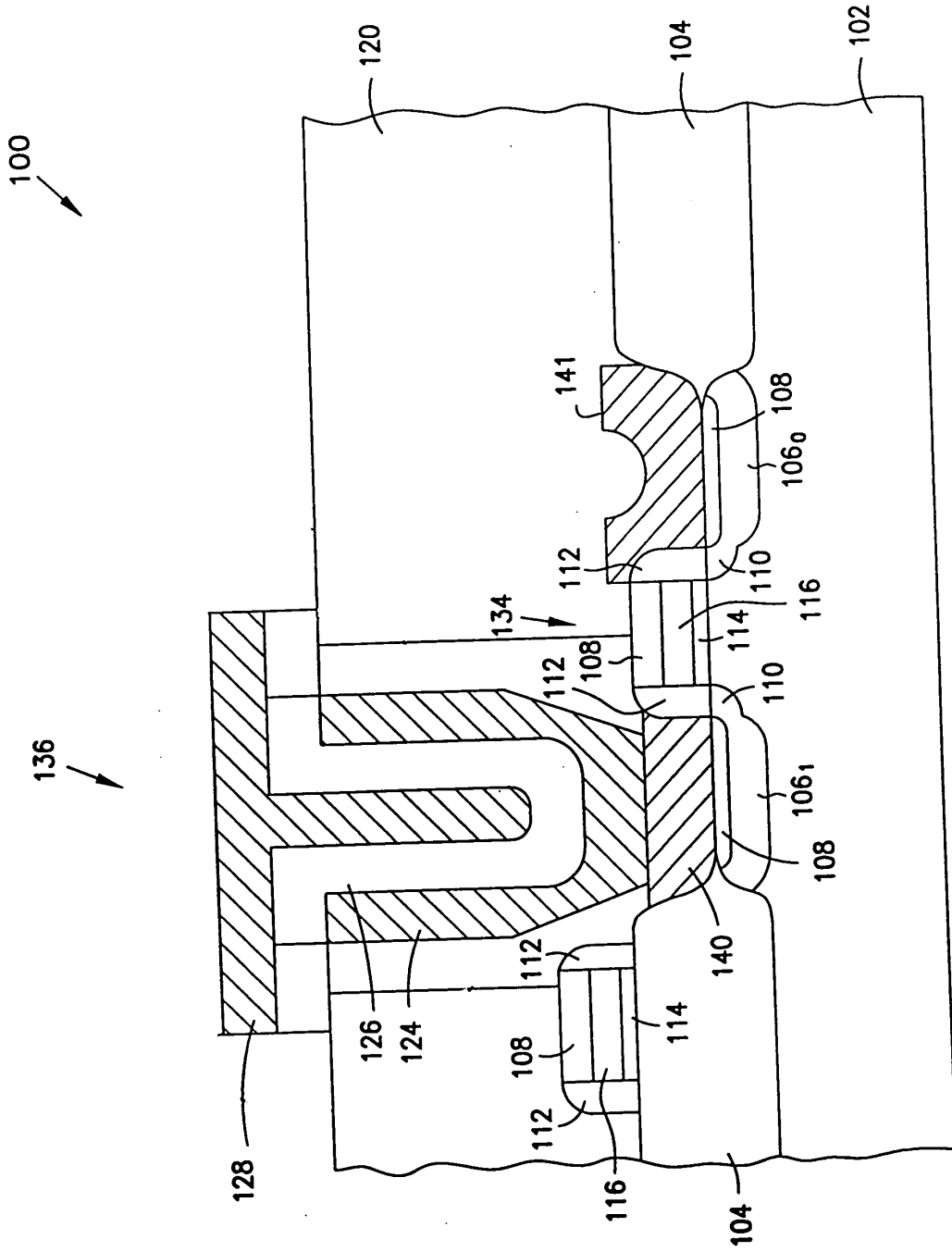


FIG. 1

00000000000000000000

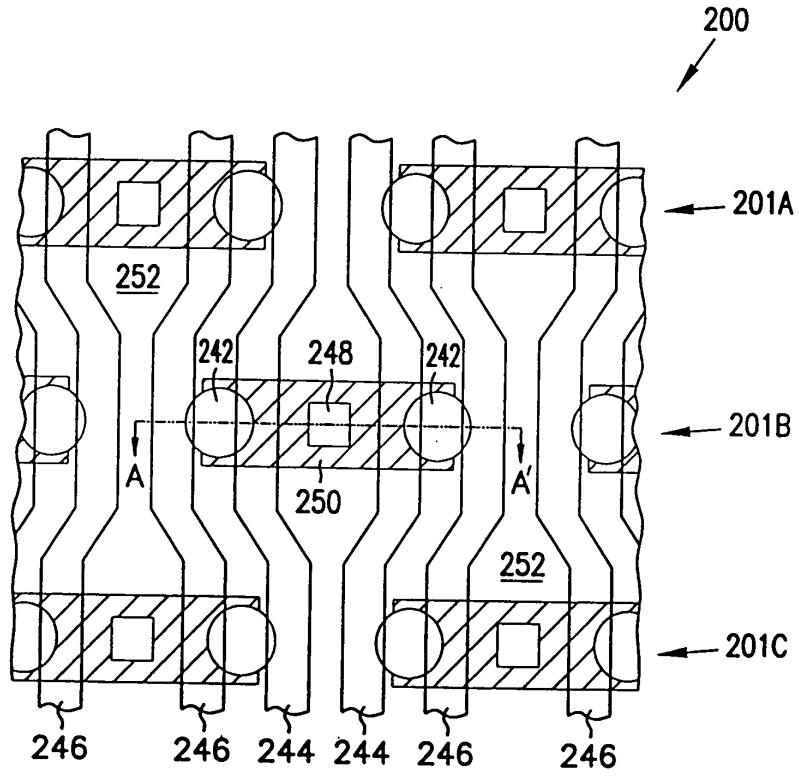


FIG. 2

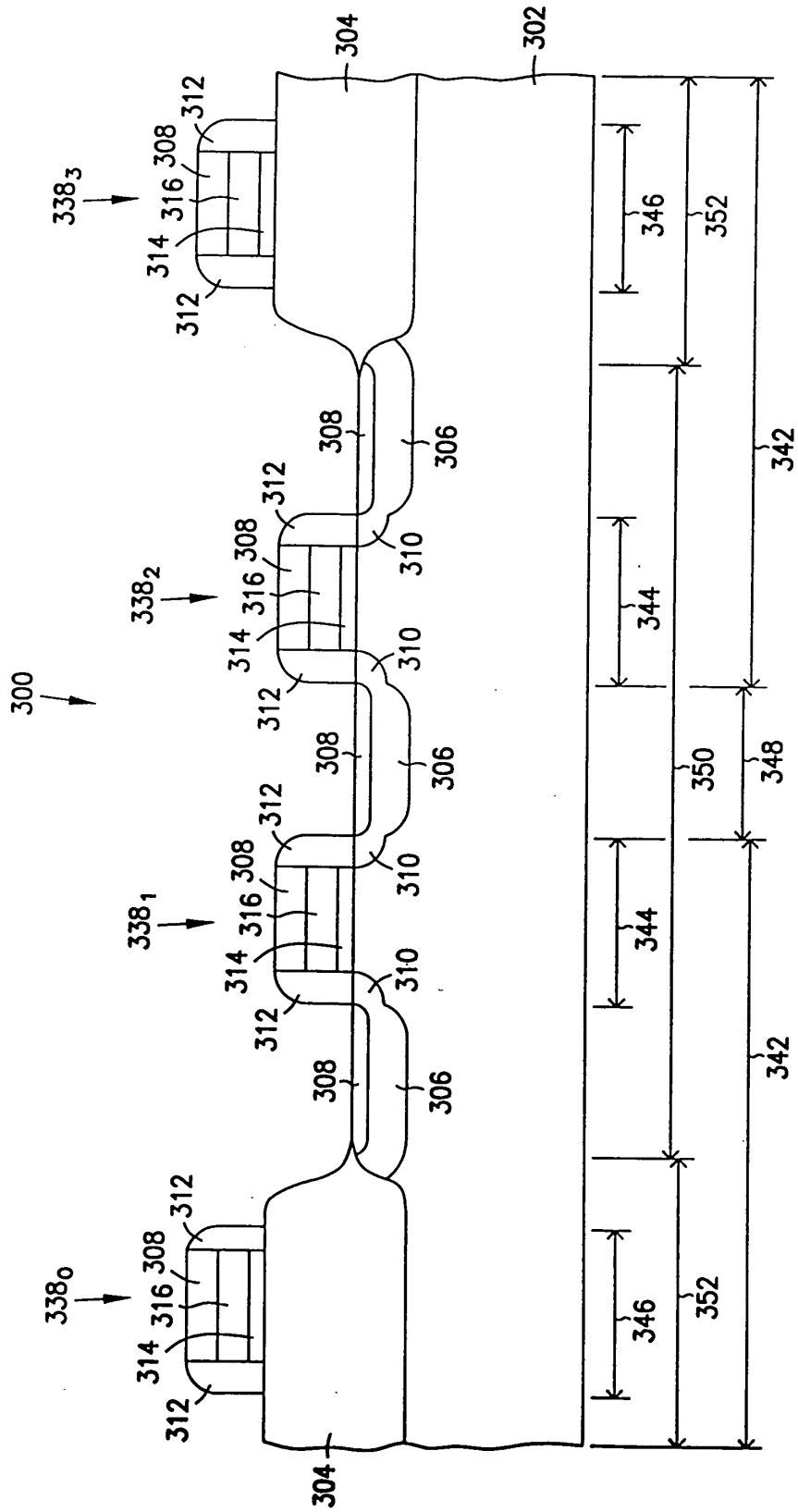


FIG. 3A

FIG. 3A

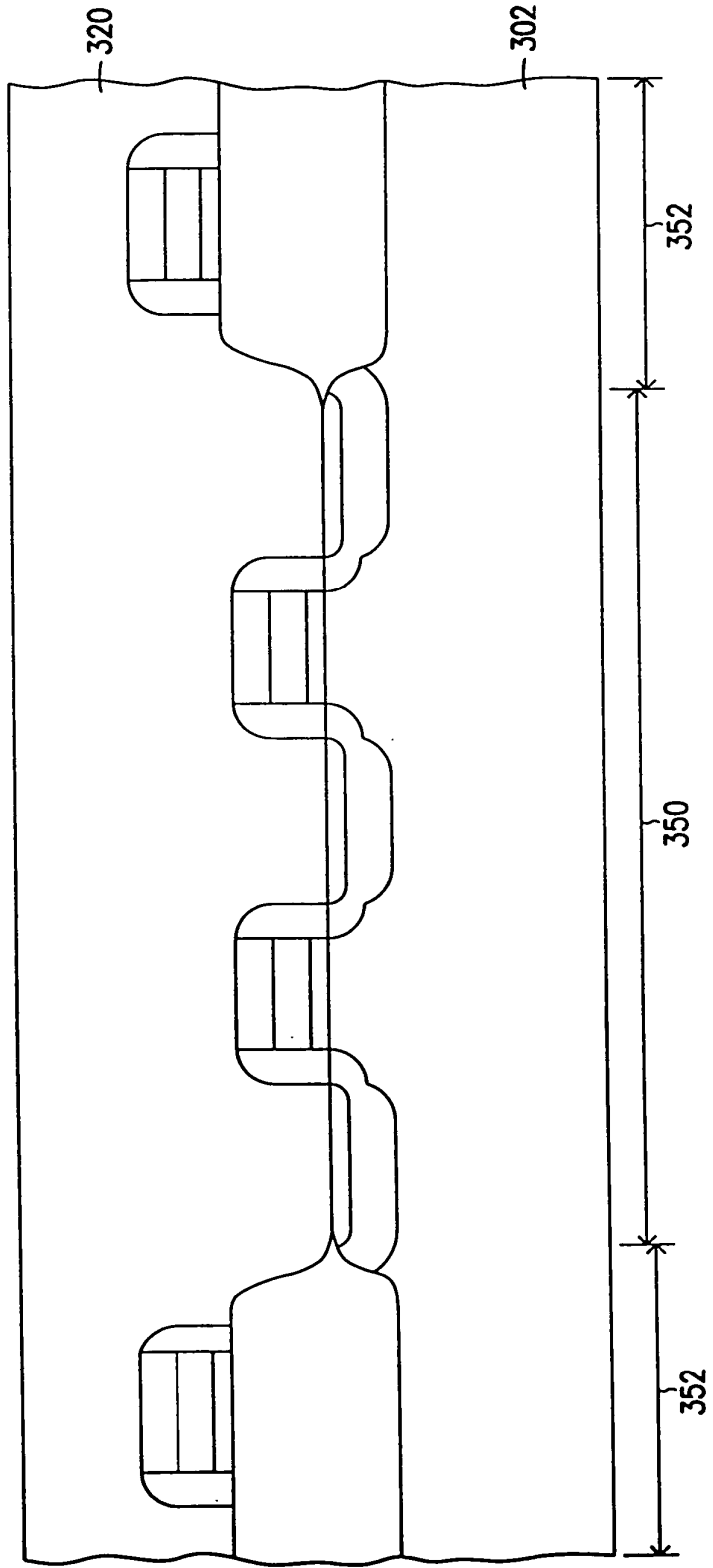


FIG. 3B

UNITED STATES PATENT AND TRADEMARK OFFICE

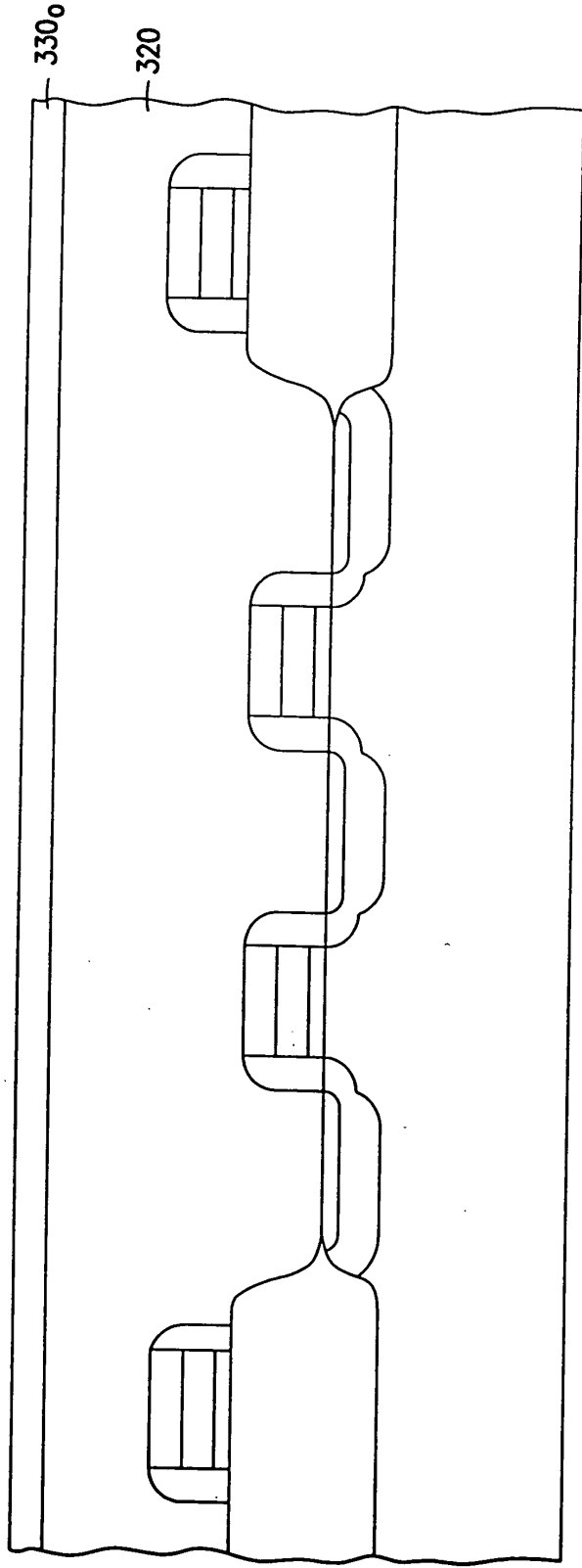


FIG. 3C

607290 5561650

300

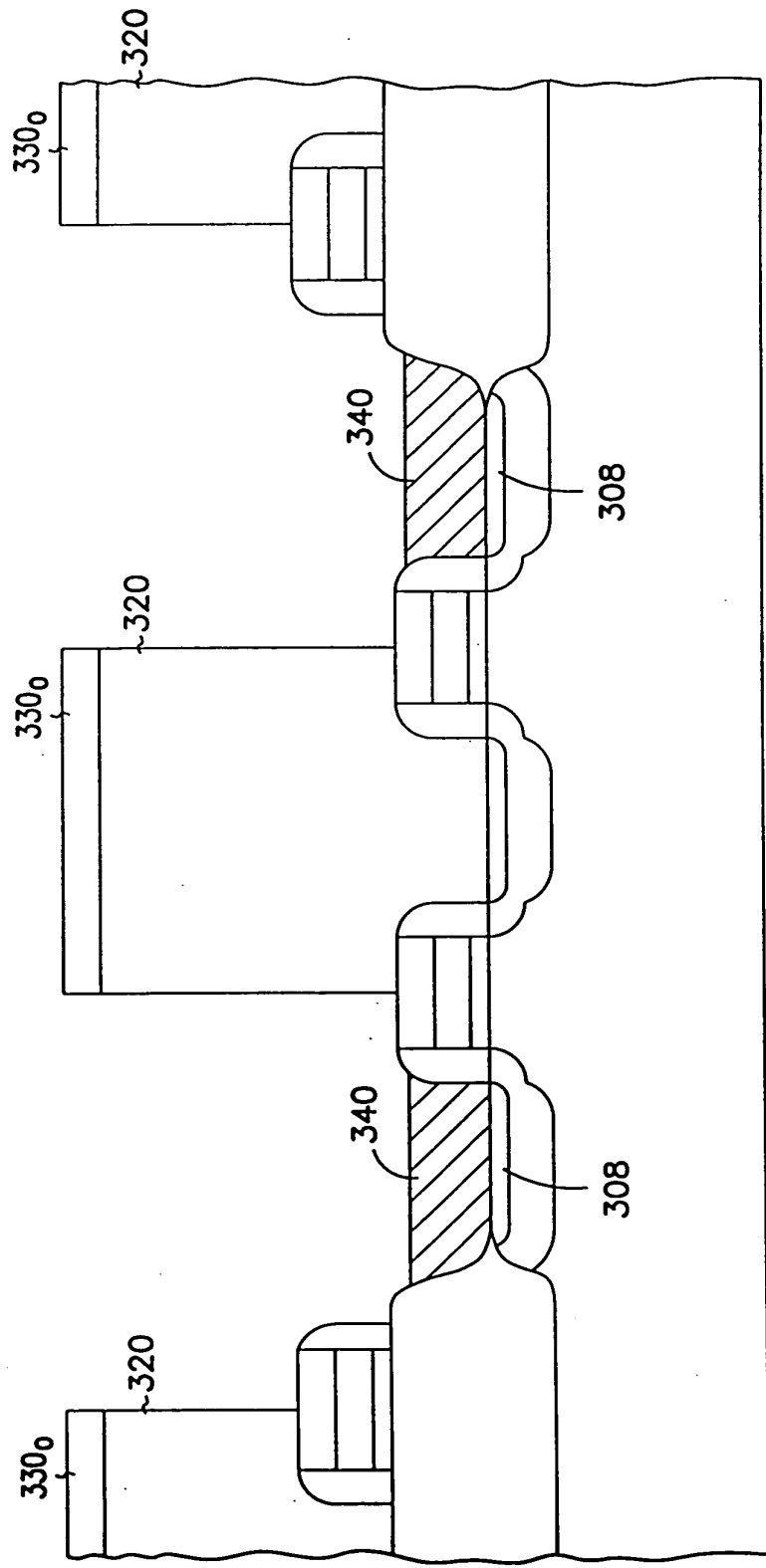


FIG. 3D

WILEY-INTERSCIENCE

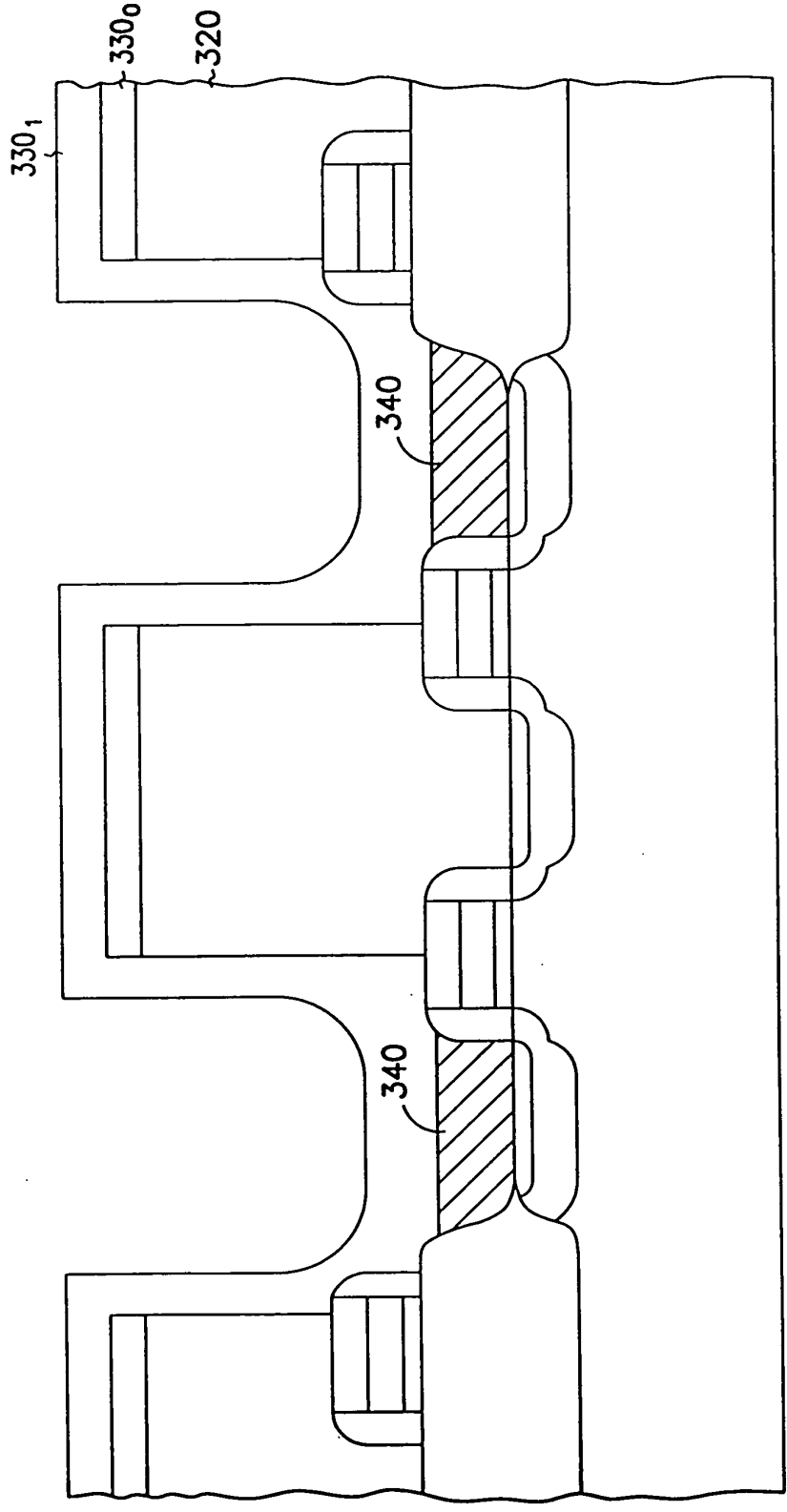


FIG. 3E

00000000000000000000

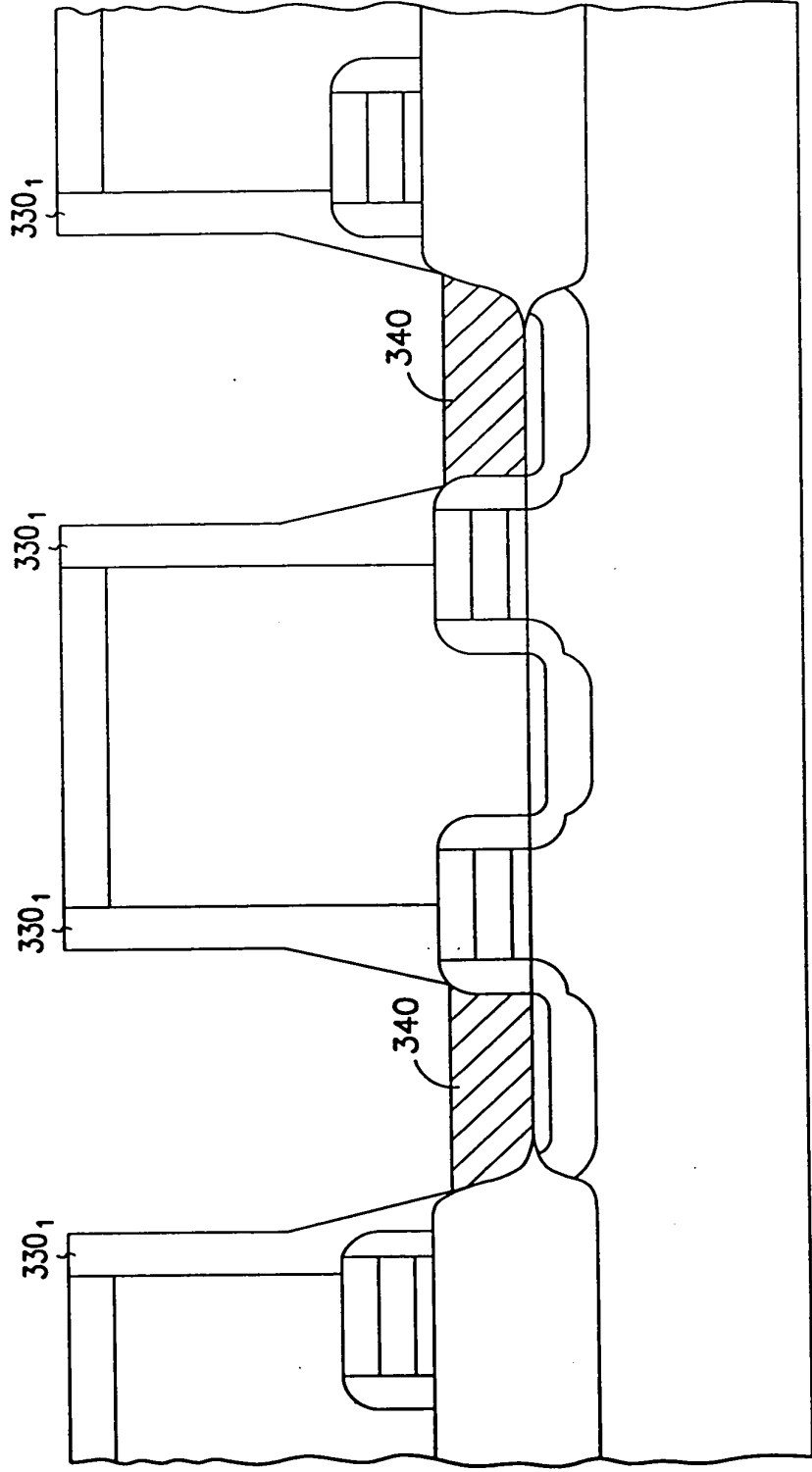


FIG. 3F



FIG. 3C

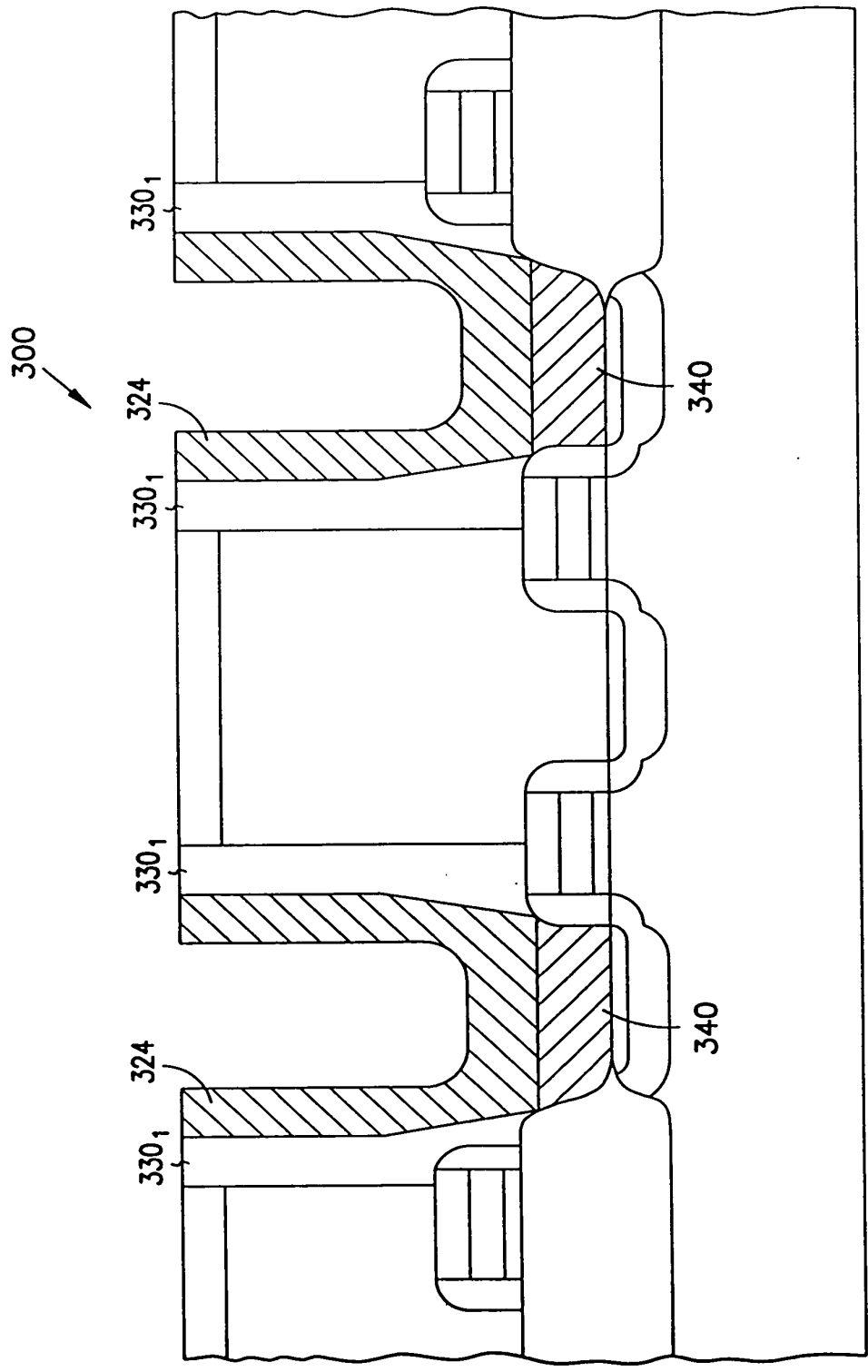


FIG. 3C

300

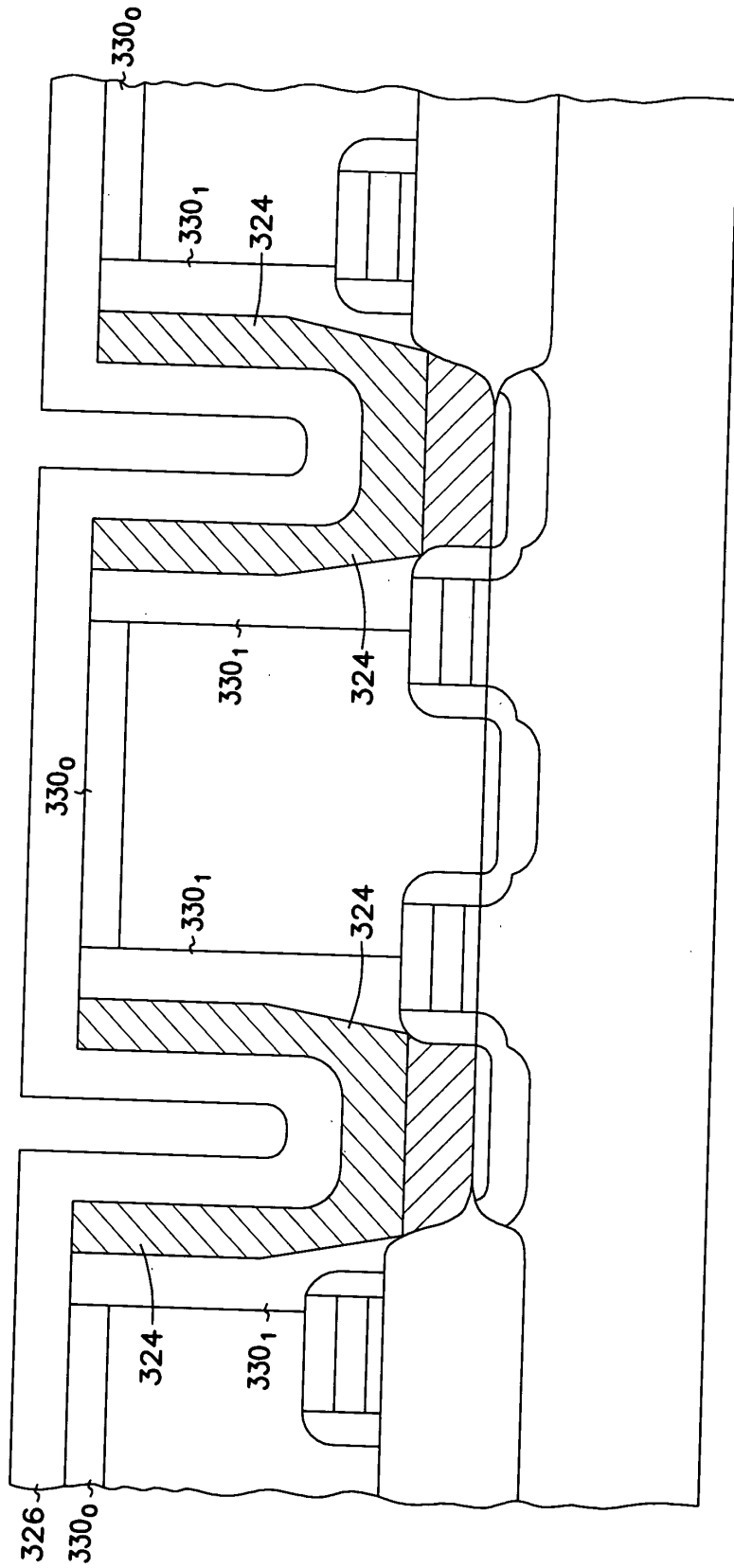


FIG. 3H

WO 2015/08565 A1

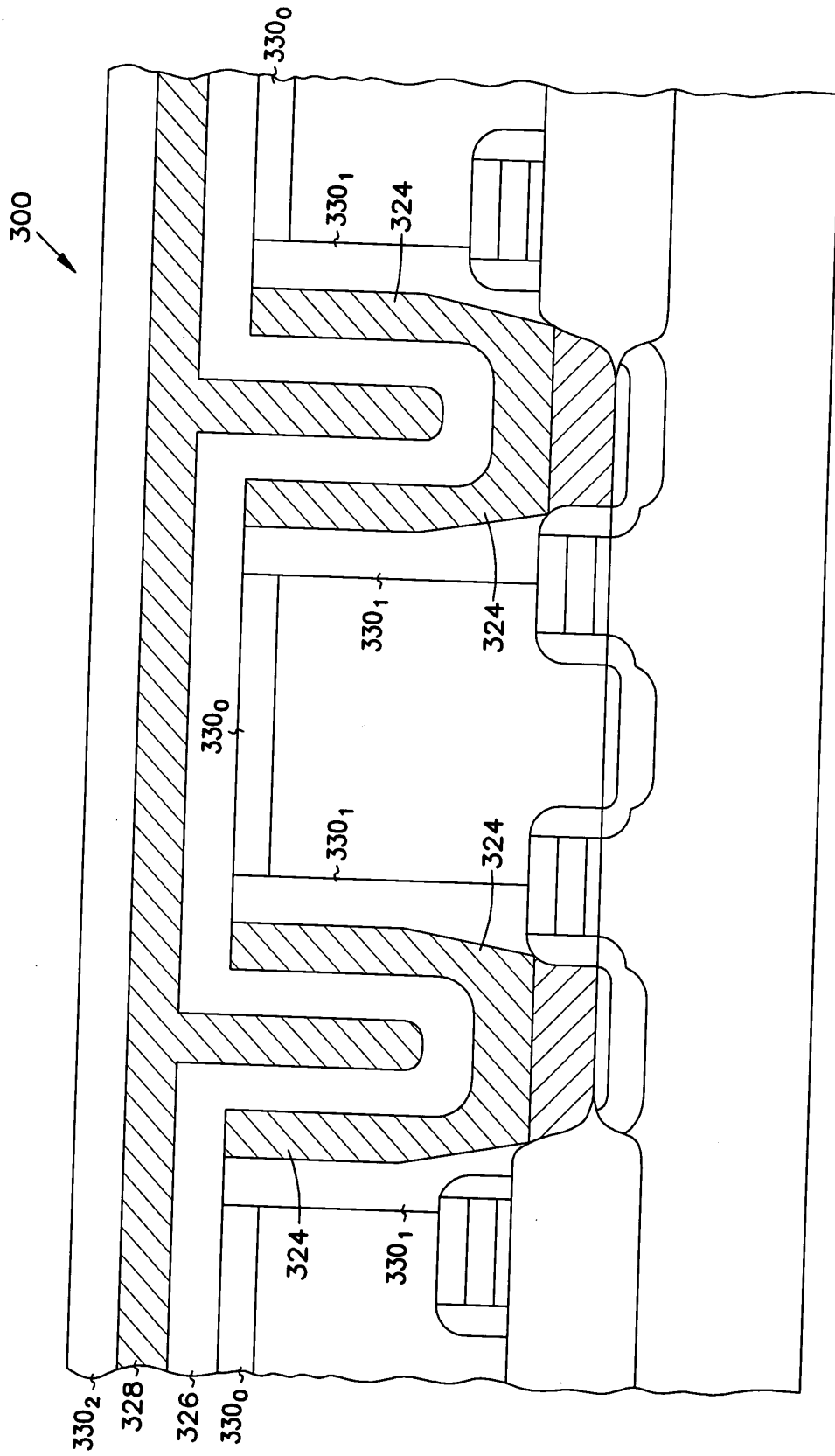


FIG. 3I

FIG. 3J

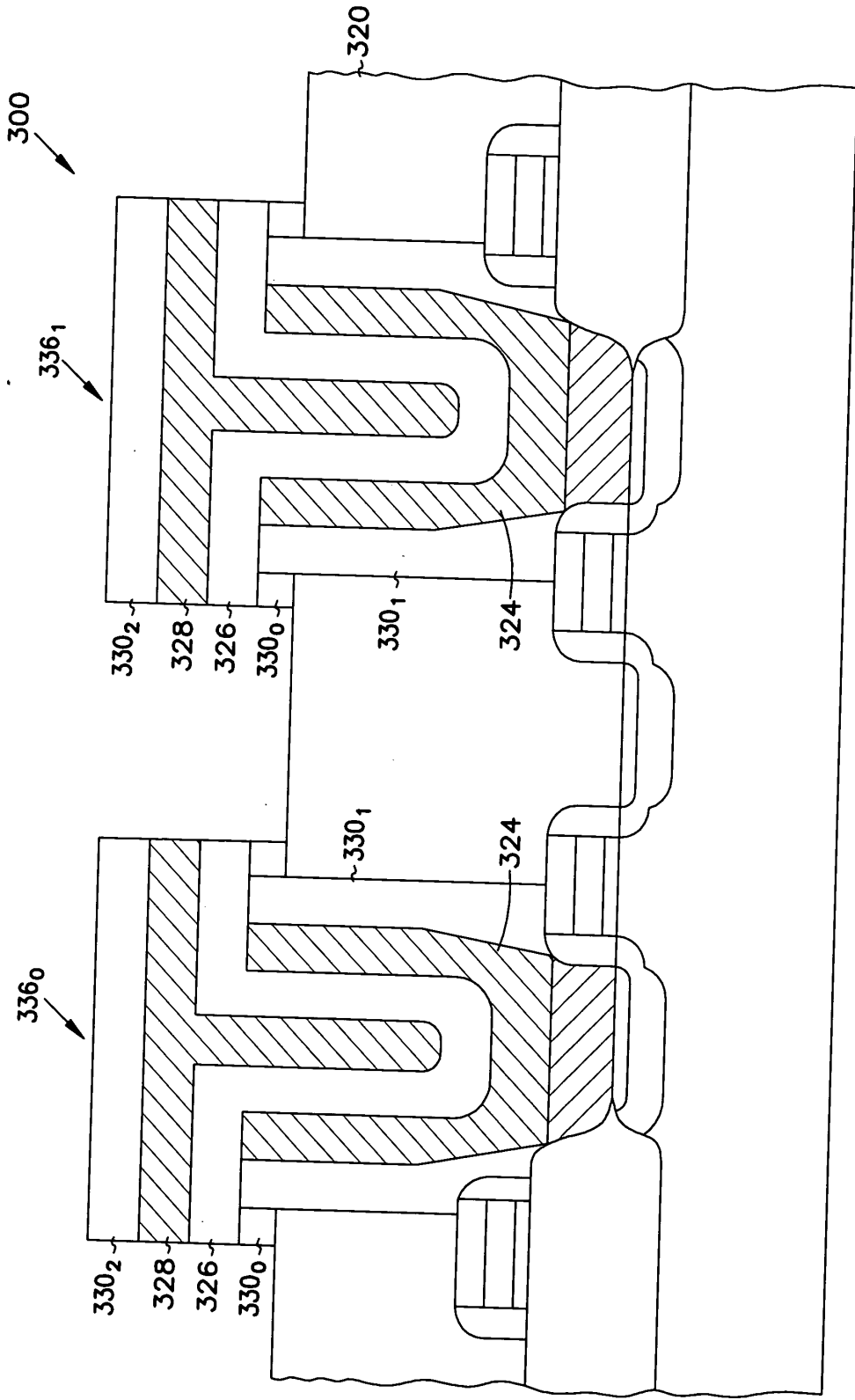


FIG. 3J

OFFSHORE SAFETY

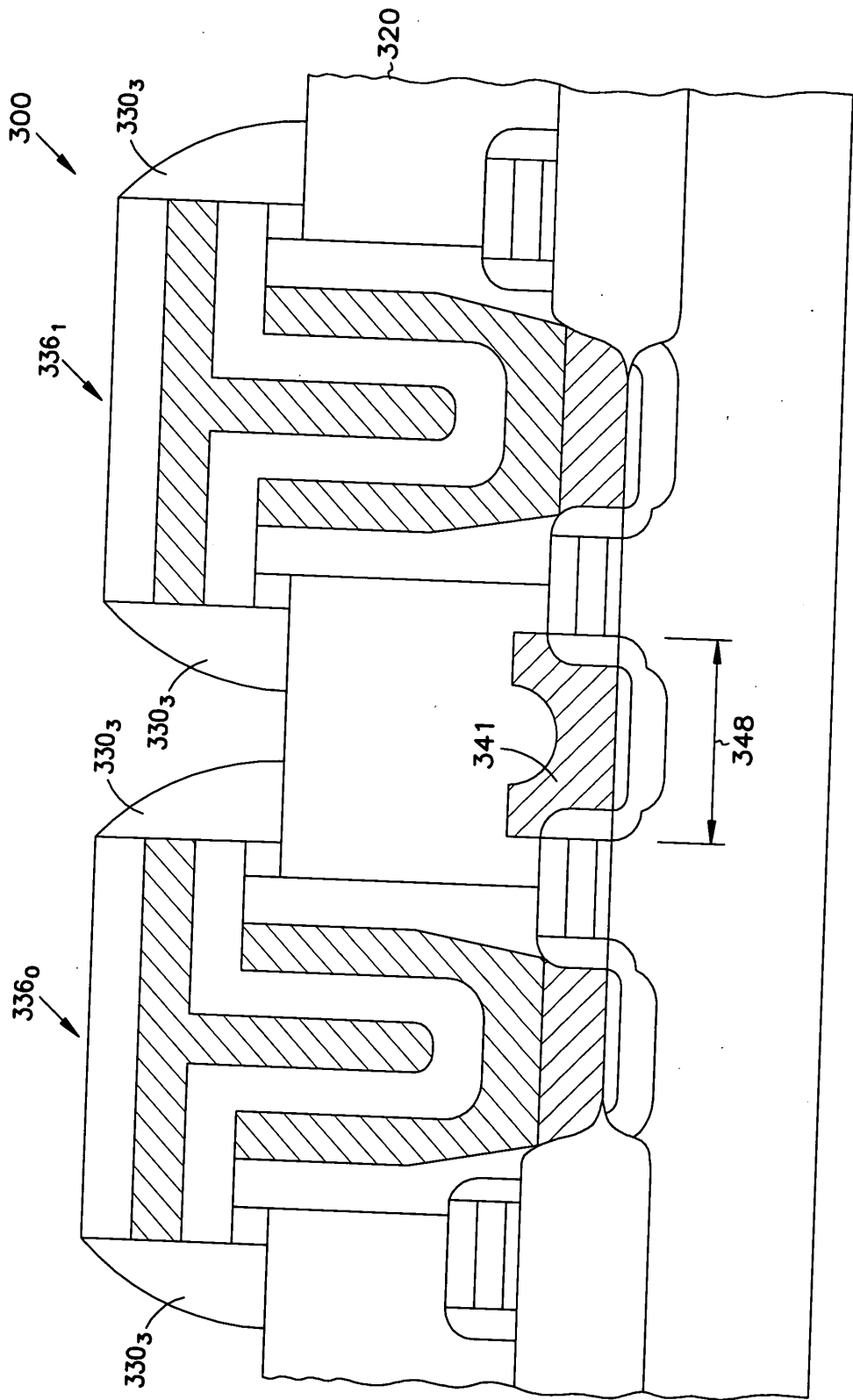


FIG. 3K

U.S. Pat. 5,125,500

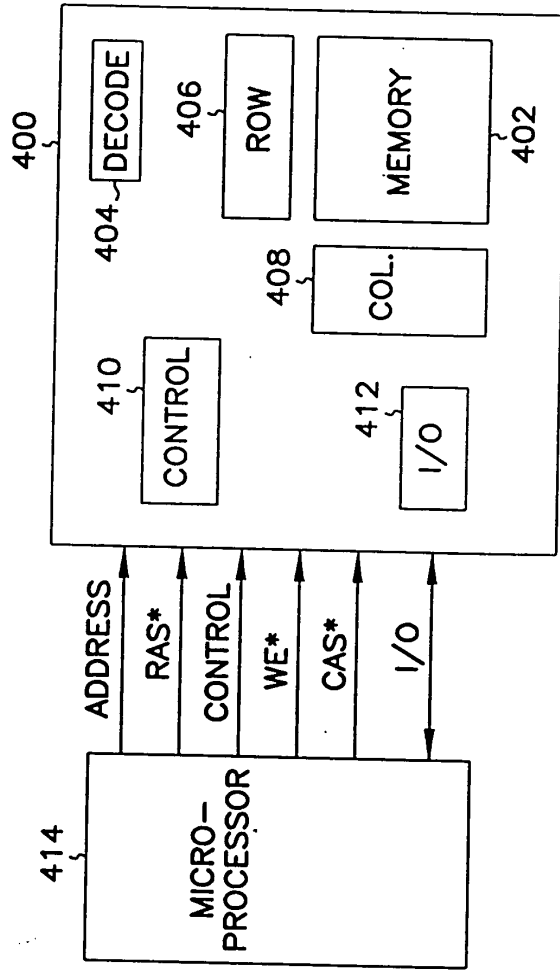


FIG. 4

500 510 600 610 612 700 710 715 720 730 740 800 802 804 USER I/F

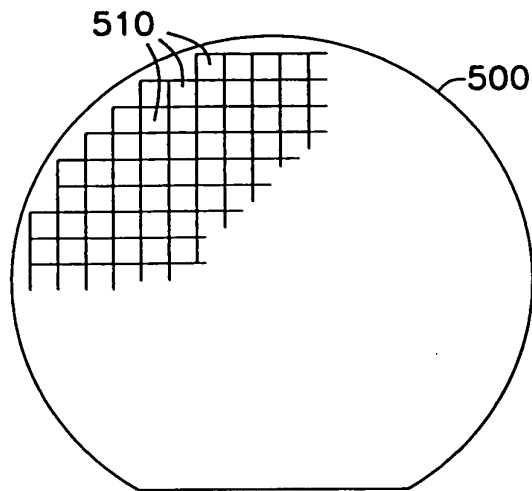


FIG. 5

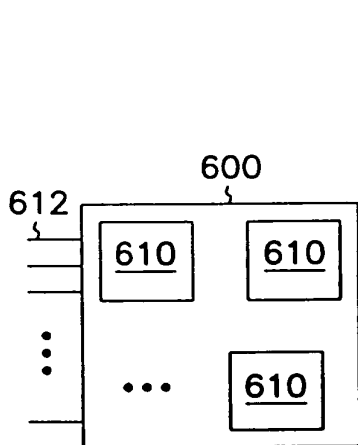


FIG. 6

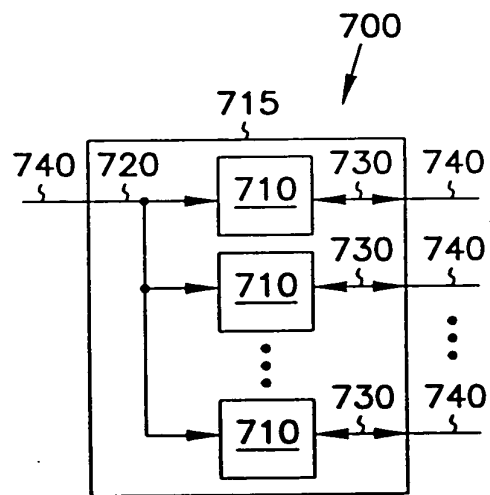


FIG. 7

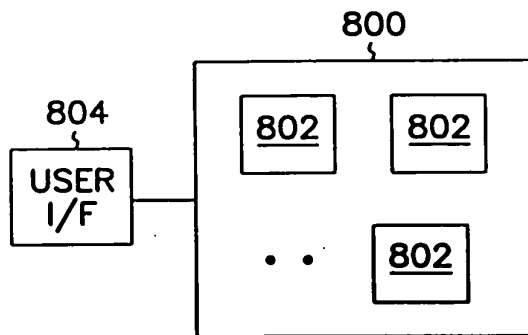


FIG. 8

WO 2010/056880

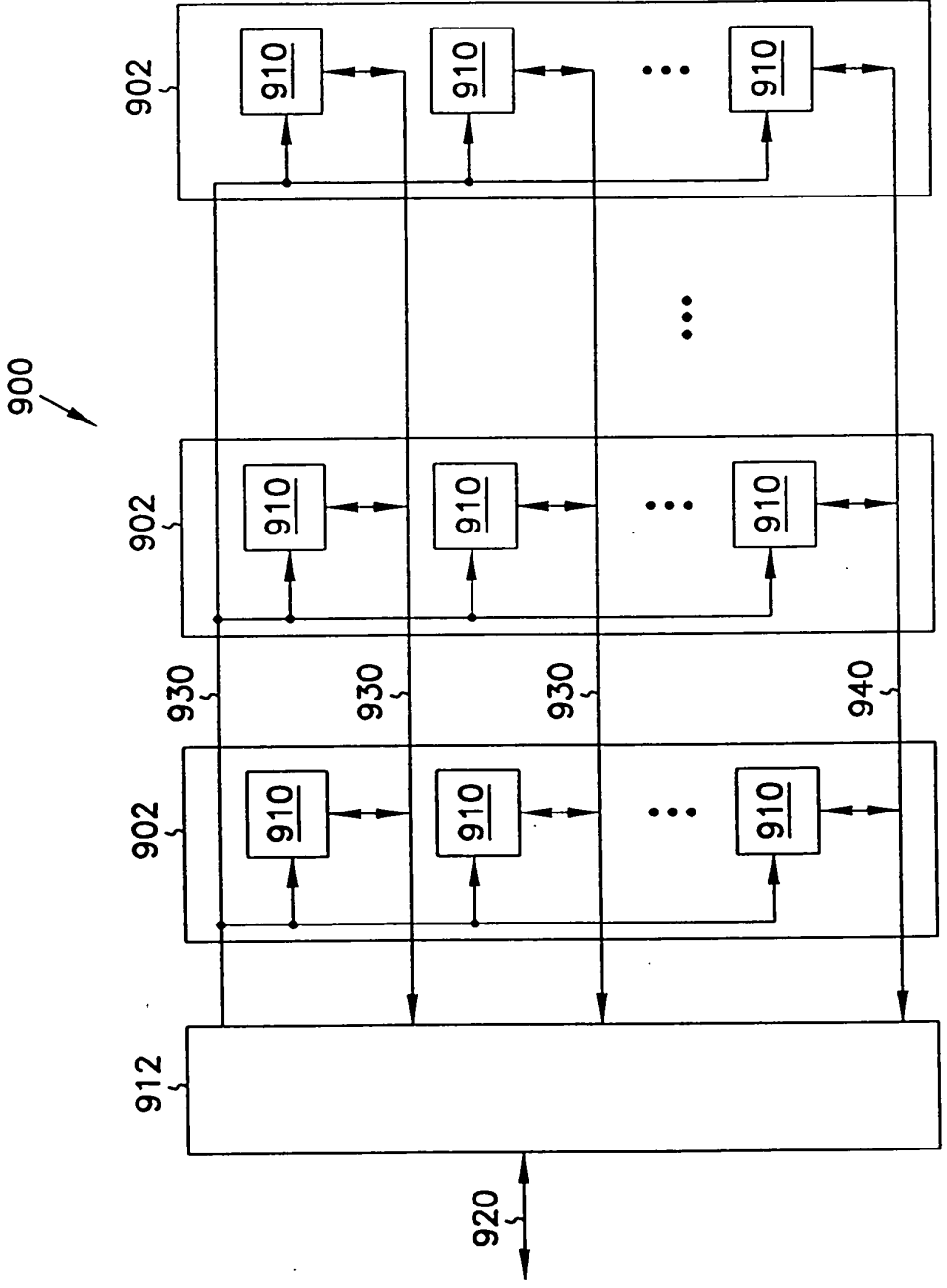


FIG. 9



001290 556350

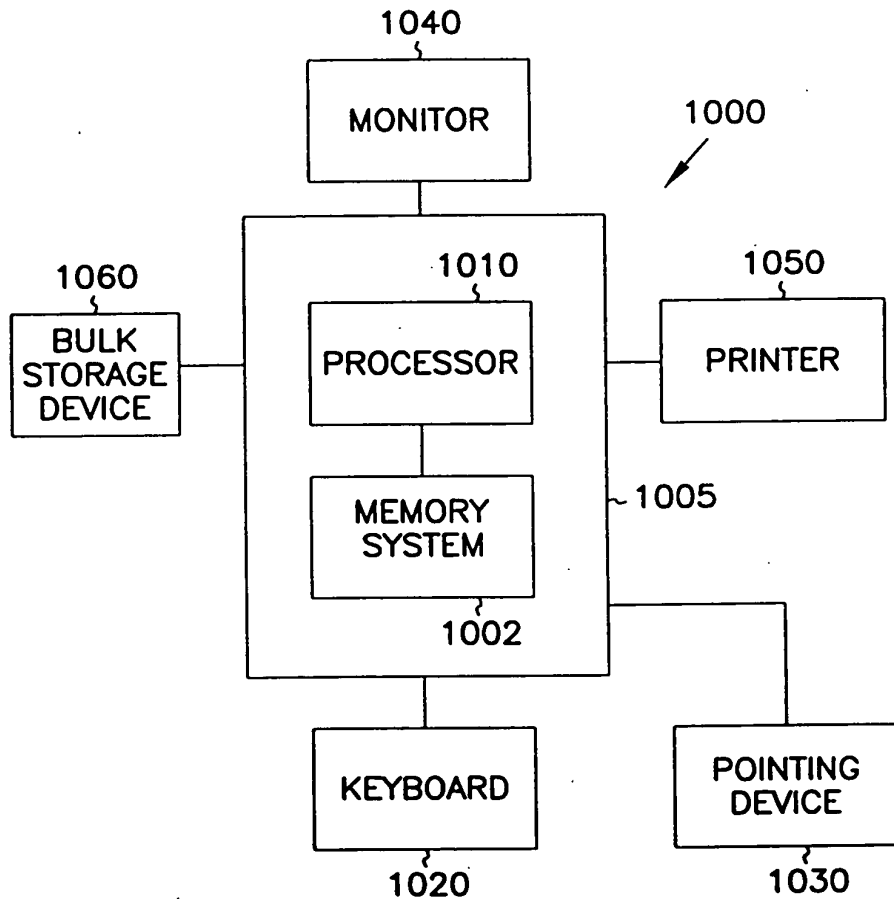


FIG. 10